

spare parts list

DOK-105-E Rev. 1

designation nozzle extension

spray gun types KS-1, KAA-1300 high pressure
- length "A" over 1000 mm-

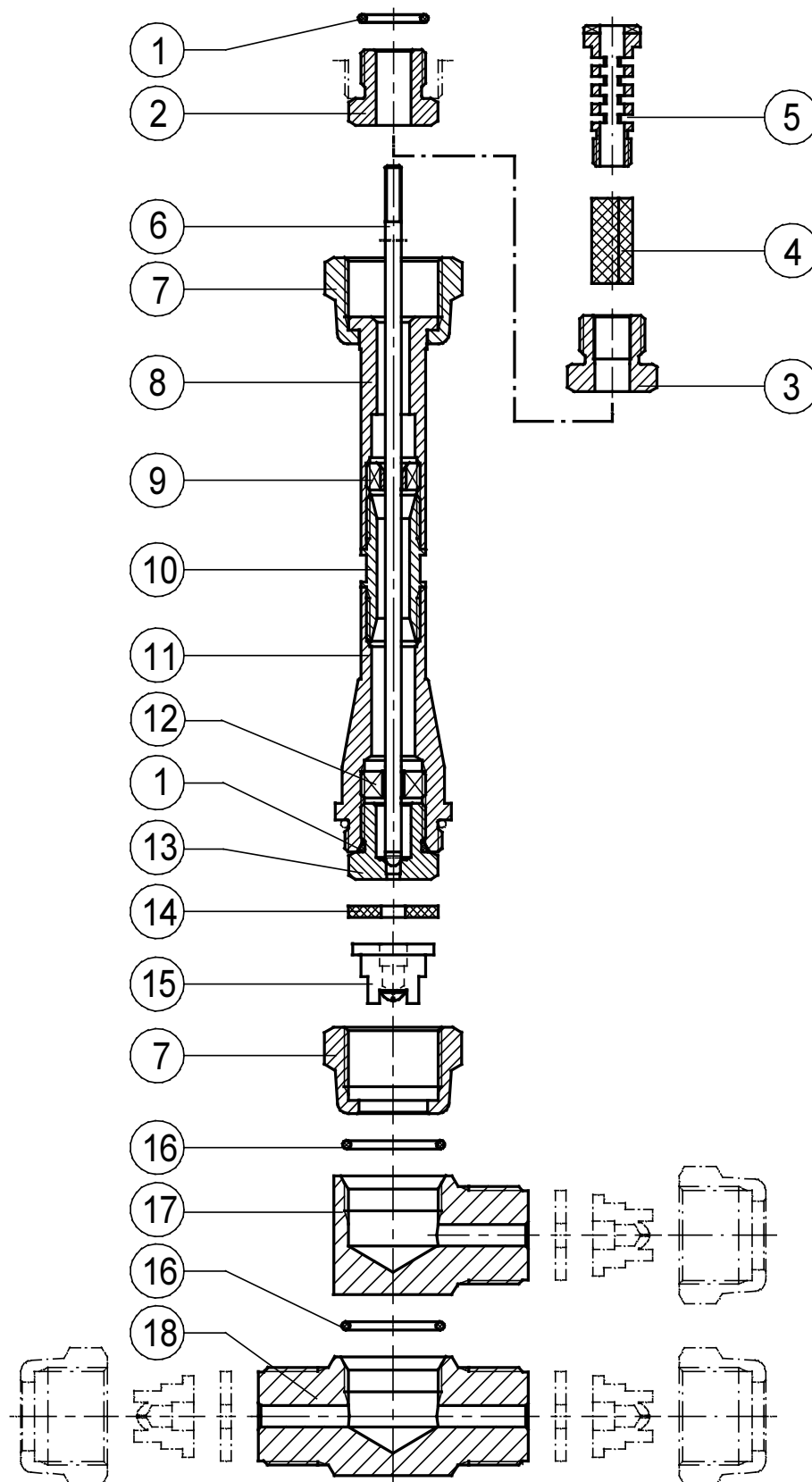
article-no.: 5355-090-1853 (0°)
5361-090-.... (90°)
5365-090-.... (2 x 90°)

- keep for further use -

spare parts list

Pos.	Artikel-Nummer	Bezeichnung
1	5355-010-0049	o-ring seal
2	5355-040-1935	connection part for spray gun KS-1 and KAA-1300
3	5355-040-1936	connection part for spray gun KAA-1300 filter
4	5355-030-...	filter insert (mesh sizes 0,03 - 0,07 - 0,09 - 0,15 - 0,20 - 0,30)
5	5355-040-1376	filter-screw
6	5355-070-...	needle for spray gun KS-1
6	5355-070-...	needle for spray gun KAA-1300
7	5355-040-1844	jam nut
8	5355-080-...	tube (back)
9	5355-040-1926	gasget
10	5355-040-2660	double nipple
11*	5355-080-...	tube (front)
12	5355-040-1558	gasket
13	5355-040-0015	valve seat cpl., tungsten carbide
13	5355-040-0016	valve seat cpl., stainless steel
14	5355-010-0048	gasket
15	5355-050-...	airless-material nozzle
16	5361-010-0150	o-ring heading section 90° or 2x90°
17	5361-040-2046	heading section 90°
18	5365-040-1557	heading section 2x90°

spare parts drawing



dimensions

