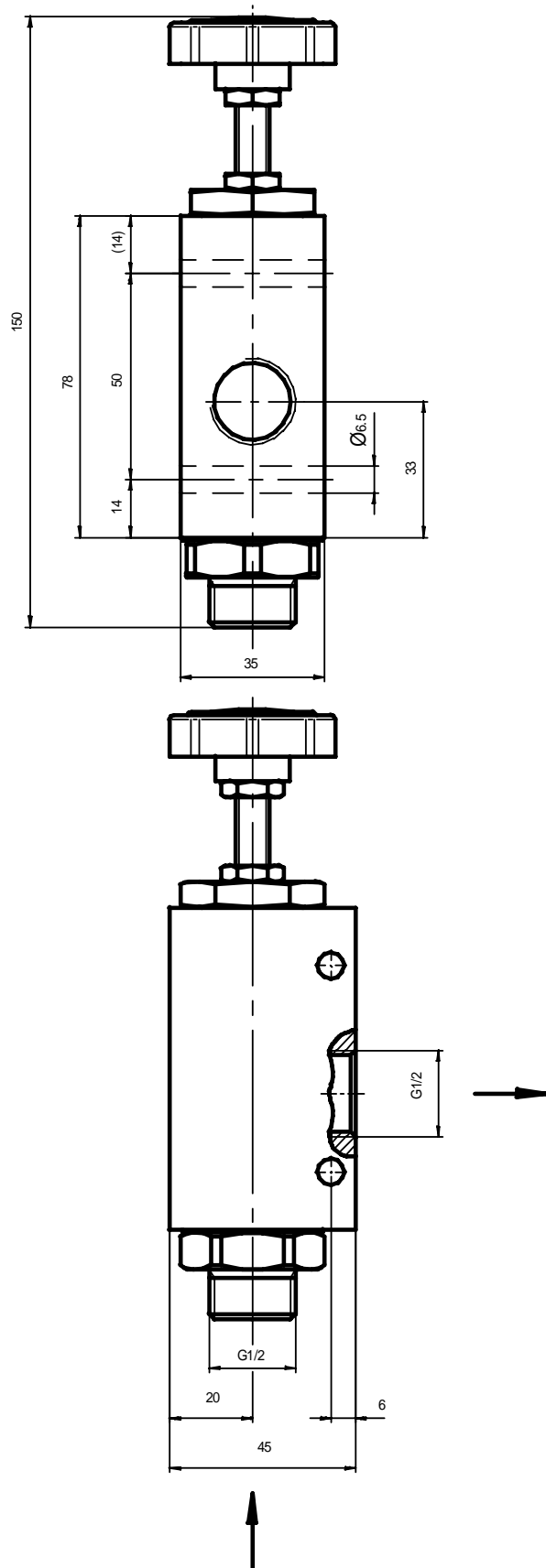


## Operating instructions and spare parts list Material Back Pressure Regulating Valve

Article no.: ■ 6934 ■ 6937 ■ 6938 ■ 6943 ■ 6944

Dok-085-GB Rev. 1

- Keep for future reference -



**Versions:**

■ 6937-080-1554 Housing: stainless steel / valve seat: stainless steel / star handle / 0-6bar

■ 6938-080-1555 Housing: stainless steel / valve seat: tungsten carbide / star handle / 0-6bar

■ 6943-080-0903 Housing: brass / valve seat: stainless steel / star grip / 0-6bar

■ 6944-080-0904 Housing: brass / valve seat: tungsten carbide / star grip / 0-6bar

■ 6934-080-4033 Housing: stainless steel / Valve seat: stainless steel / knurled screw / 0-4bar

**OPERATING INSTRUCTIONS**

Material pressure regulating valves are designed to maintain constant pressures or to serve as pressure monitors in pipe systems for liquids.

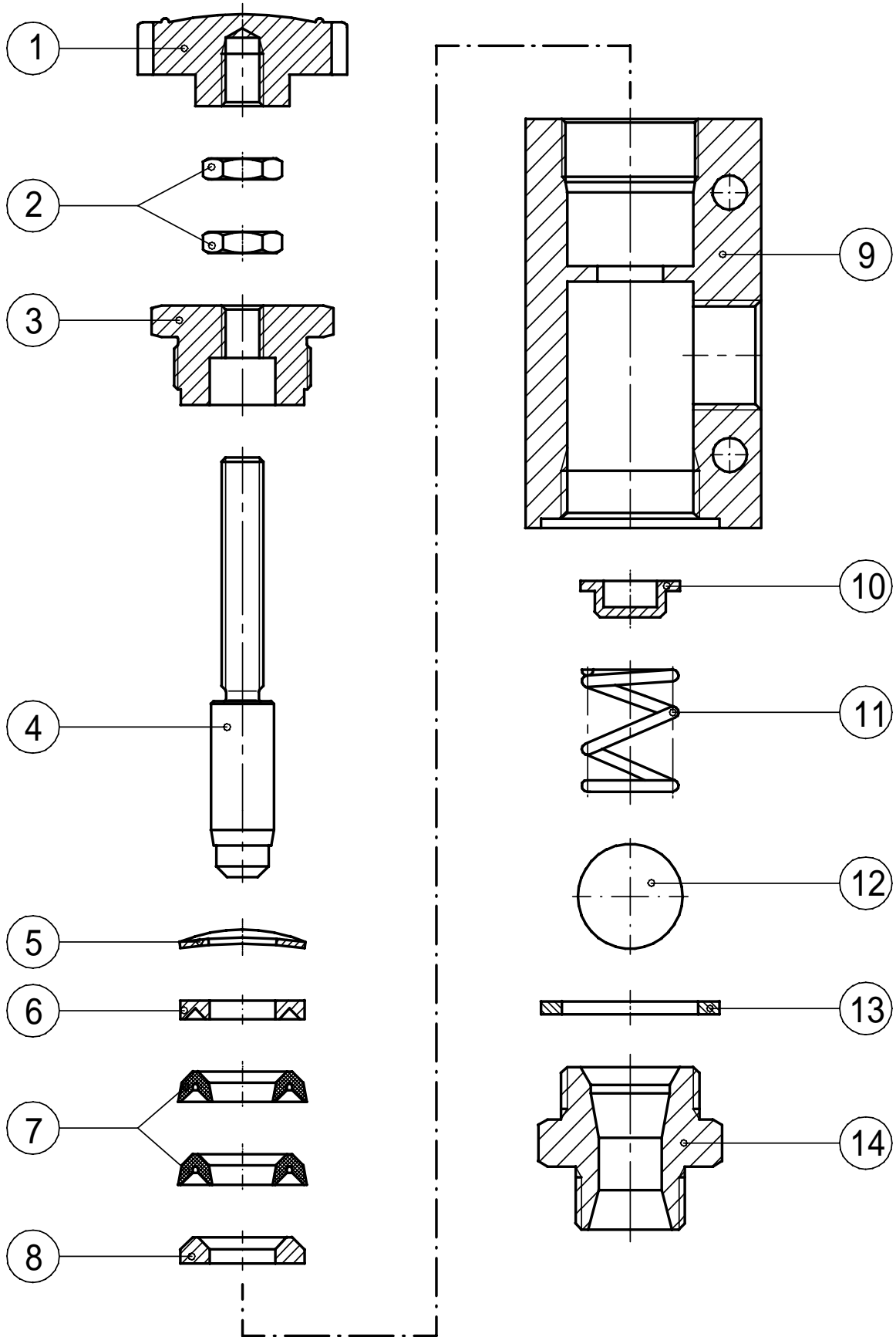
The units are equipped with housing made of stainless steel or nickel-plated brass, stainless steel valve springs, valve balls and valve seats made of stainless steel or tungsten carbide and PTFE gaskets. They are therefore ideally protected against wear and suitable for use in media containing solvents without any restrictions.

To avoid one-sided wear of the regulating valve, you should mount the regulators in vertical orientation at the end of the pressure line.

Following mounting, set the line or circulation pressure using the adjusting spindle (4). You can fix the optimum position by tightening the lock nut (2) against the pressure piece.

The operating range of the regulating valves is between 0 and 6 bar; the pressure you set depends on the pump capacity or the required circulation volume. You can effect pressure measurement in the circulation line.

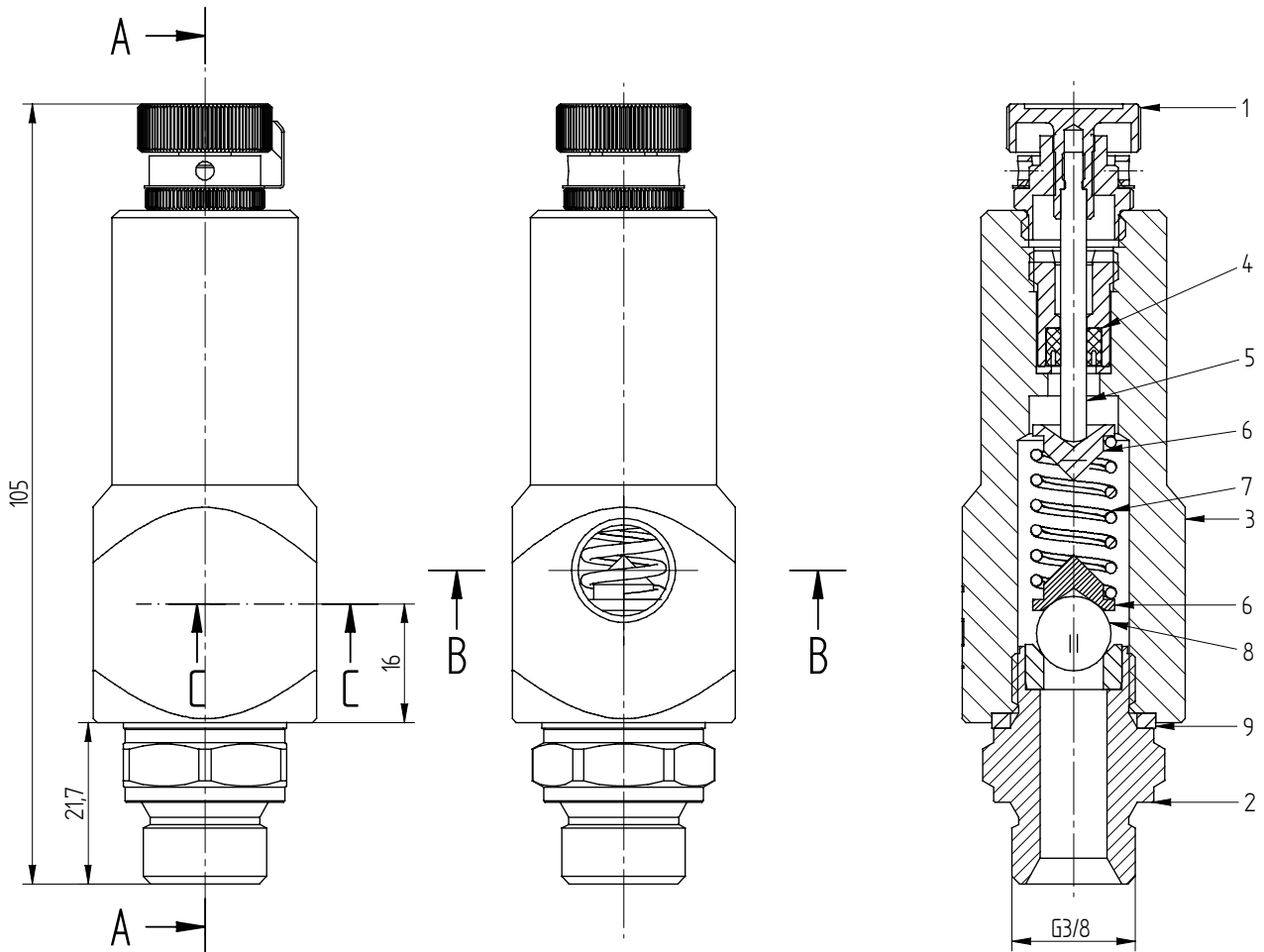
You should set the circulation or withdrawal pressure in such a way that the delivery pump operates slowly and evenly – without extracting material from the consumer (spray gun etc.) – thus avoiding unnecessary wear on the pump and regulating valves.



**SPARE PARTS LIST FOR MATERIAL BACK PRESSURE REGULATOR**

<b>Item</b>	<b>Designation</b>	<b>Article no.</b>
1	Star grip	6943-030-1314
2	Flat hex nut, stainless steel (2 pcs)	6937-030-2918
2	Flat hex nut (2 pcs)	6943-030-2904
3	Pressure piece, stainless steel	6937-040-3078
3	Pressure piece, brass	6943-040-0515
4	Adjusting spindle	6943-040-0516
5	Spring washer	6943-030-3773
6	External support ring	6943-040-0521
7	V-packing	6943-010-0125
8	Internal support ring	6943-040-0520
9	Housing, stainless steel	6937-040-3077
9	Housing, brass	6943-040-0514
10	Spring pressure piece	6943-040-0517
11	Pressure spring	6943-020-0071
12	Valve ball, stainless steel	6943-030-2753
12	Valve ball, tungsten carbide	6944-030-2754
13	Gasket	6943-010-0117
14	Valve seat, compl., stainless steel	6943-080-0291
14	Valve seat, compl., tungsten carbide	6944-080-0292

Regulator 6934-080-4033



SCHNITT A-A

Item	Order-No.	Description	Quant.	
1	080-4061	Locking part, complete	1	
2	080-4060	Valve seat, complete	1	
3	040-5772	Housing	1	
4	010-0678	Packing seal	Glaze	1
5	070-2605	Treaded needle		1
6	040-0542	Spring plate		2
7	020-0208	Pressure spring	VA 1.4310	1
8	030-2739	Ball	St	1
9	010-0702	Flat gasket	VA 1.4571	1