

Krautzberger 

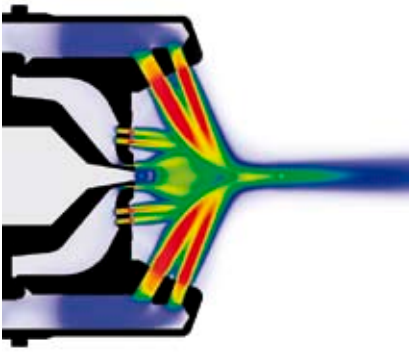
XLINE

PERFECTION | QUALITY | PERFORMANCE





XLINE
PERFECTION | QUALITY | PERFORMANCE



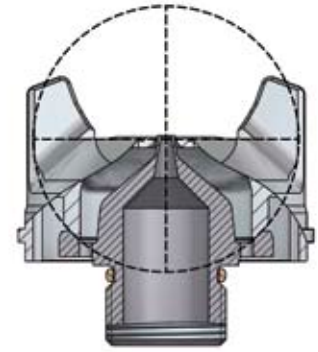
Optimisation via numerical flow simulation

Further improved transfer rates through the optimisation of interior geometry
 Reduced soiling due to new exterior design



Automated 100% control integrated in production process

Zero defect strategy for continuous quality improvement
 Improved reproducibility of the spray pattern



Functional improvement of the air nozzles

Optimal centring of the fluid nozzle and the air nozzle through a spherical system
 Improved separation of flat and round jet air



Standard finishing in anodised aluminium

Significant weight reduction (up to 60%)
 Easier cleaning
 For higher requirements also available in stainless steel, e.g. for use in the food and pharmaceutical industry



Improved handling and simple nozzle adjustment

Trapezoid threads enable insertion and tightening in one step
 Simple and exact positioning and fixation of the air nozzle



Colour-coded identification of the spray procedures

- BLUE
conventional compressed air
- DARK GREEN
HVLP procedure
- LIGHT GREEN
LVLP procedure



Visit us on our YouTube channel.

Krautzberger GmbH
Stockbornstraße 13
D-65343 Eltville am Rhein
Telefon: +49 (0) 6123 698-0
Telefax: +49 (0) 6123 698-200

mail@krautzberger.com
www.krautzberger.com
Sales hotline
Phone: +49 (0) 6123 698-222
Fax: +49 (0) 6123 698-240